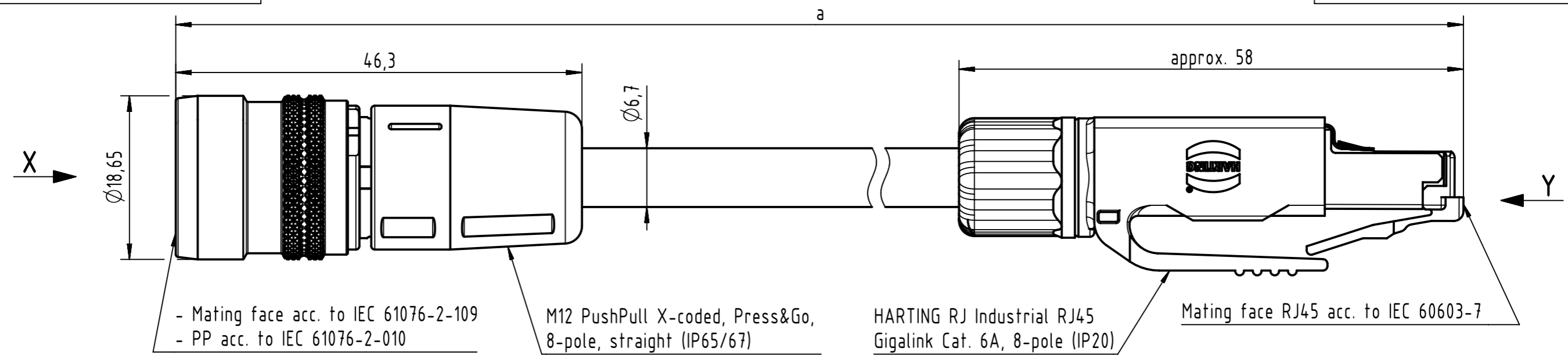
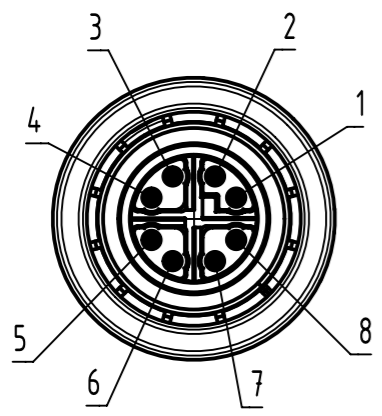


Connector Location A

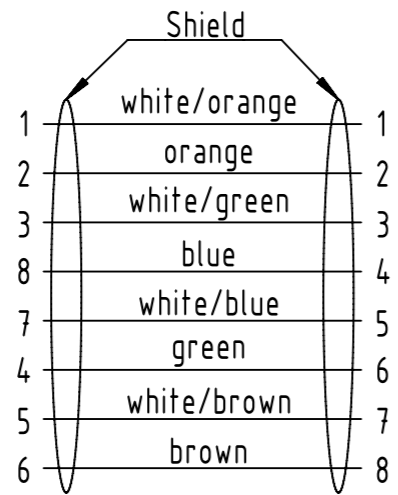
Connector Location B



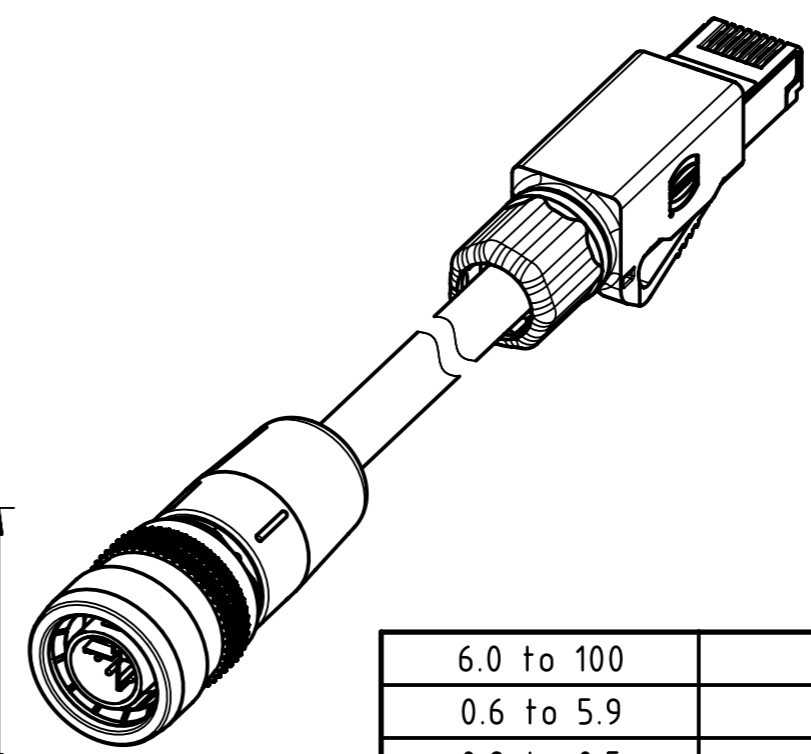
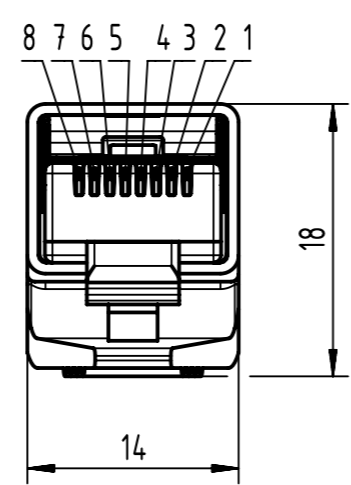
X male



Loading Plan acc. to TIA/EIA 568B



Y male



6.0 to 100	±1%
0.6 to 5.9	+0.04
0.2 to 0.5	+0.02
a [m]	Tolerance

length in "1m" step	100	XXX=000
	99	XXX=990
	12	XXX=120
	11	XXX=110
length in "0.1m" step	10	XXX=100
	9.9	XXX=099
	9.8	XXX=098
	0.5	XXX=005
	0.4	XXX=004
	0.3	XXX=003
	0.2	XXX=002
Step	a [m]	XXX

HARTING IE Cat.6A
4x2xAWG 26/7 PUR yellow

09488223756XXX

Type of cable

Part no.

NOTE:
* Cat.6A 10 Gbit/s Ethernet transmission possible for lengths up to 45m
- Temperature range: -40°C ... +70°C

All Dimensions in mm		Tech. Character.		Free size tol.		According to production drawing	
All rights reserved		Created by BANCUID Banciu	Inspected by COSTEA Costea	Standardisation MUNTEANV Muntean	Date 2022-09-20	State Final Release	
Department HCS - RO		Title M12/RJ45 X-cod m/m st/st		Doc-Key / ECM-Nr. 100658654/UGD/003/G 500000223561		Rev. G Page 1/1	
HARTING Customised Solutions D-32339 Espelkamp		Type TB	Number 09488223756XXX				